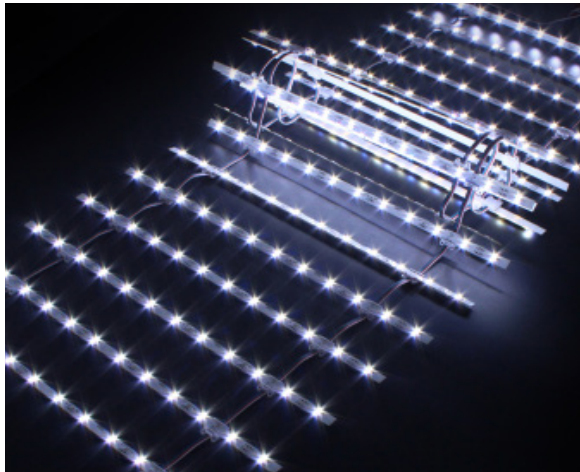




TheLATTICE2GTW™

L2GTW-5T10 <preliminary datasheet>

LED Matrix Lighting System for Sign Cabinets



L2GTW-5T10

ORIENTATION

SINGLE
SIDED

LED-TO-LED

50mm(1.97")

BAR-TO-BAR

101.6mm(4")

POWER CONSUMPTION

7.2w/sqft

LED TO FACE DISTANCE

>5"

BRIGHTNESS

694.8lm/sqft
(BW65+WWV30)

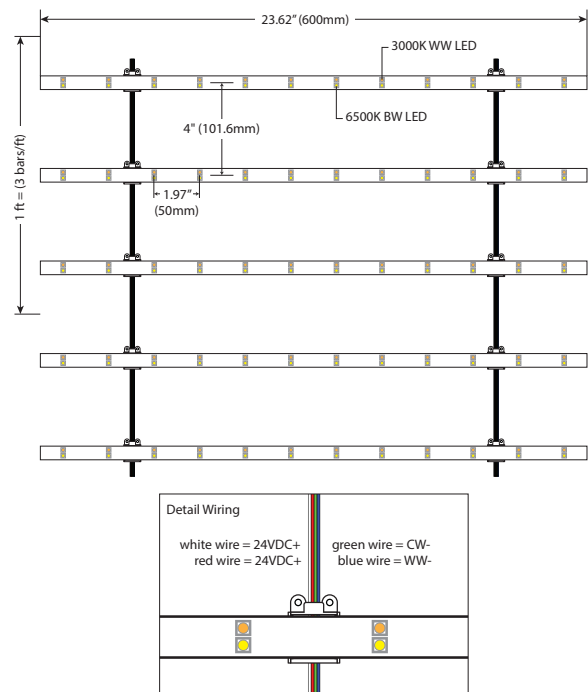
features

- <preliminary datasheet>

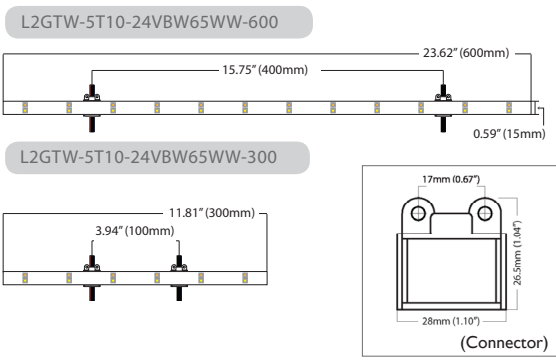
overview

<preliminary datasheet>

configuration dimension



dimension & sku



2-YEAR
WARRANTY

IP66

Constant
Current
Technology





application specs

Model	L2GTW-5T10
Single-sided / Double-sided	Single Sided
Brightness Level	Standard Brightness
Brightness (lm/sqft)	360 lm/sqft (BW65) 334.8 lm/sqft (WW30) 694.8 lm/sqft (Overall)
Min. Cabinet Depth*	>5"
Default Color	Bright White, 6500K (BW65) and Warm White, 3000K (WW30)
Other Colors	Special Order. Consult with Bitro Reps and Distributors
Waterproof Rating	Conformal Coated, IP66
Application Environment	Dry & Damp Locations
Operating Temperature	-22°F ~ 158°F
UL File # / Ref. #	E341583 / BT-LAT
CSA File # / Ref. #	258485, "BT-LAT"
CE Ref. #	"BT-LAT"

* Minimum distance required from LATTICE product to face. Calculated with 2447 milky white acrylic with no graphics. Depth on faces with graphics can have thinner cabinet depths. Consult with Bitro for samples and depth demonstrations.

configuration specs

Part Number		L2GTW-5T10-24VBW65WWW-600	L2GTW-5T10-24VBW65WWW-300
LED Pitch		50mm (1.97")	
Bar-to-Bar Pitch		101.6mm (4")	
Bar Length (Roll width)		600mm (23.6")	300mm (11.8")
# Lamps (RGB)	# Lamps / bar	12 lamps/bar	6 lamps/bar
	# Lamps / sqft	18 lamps/sqft	
# Lamps (White)	# Lamps / bar	12 lamps/bar	6 lamps/bar
	# Lamps / sqft	18 lamps/sqft	
# Bars	# bars / sqft	1.5 bars/sqft	3 bars/sqft
	# bars / linear ft on roll	3 bars/ft	

layout service

Please email estimate@bitrogroup.com with drawings for prompt layout services.

electrical specs

Part Number		L2GTW-5T10-24VBW65WWW-600	L2GTW-5T10-24VBW65WWW-300
Operating Voltage		24VDC	
Power Consumption	W / bar	4.8 W/bar	2.4 W/bar
	W / sqft	7.2 W/sqft	
	W / linear ft on roll	14.4 W/ft	7.2 W/ft
Lumen Efficiency (on White LEDs, lm/w)		100 lm/W (BW65) 93 lm/W (WW30) 96.5 lm/W (Overall)	

power load recommendations

Part Number		L2GTW-5T10-24VBW65WWW-600	L2GTW-5T10-24VBW65WWW-300
Recommended Max. Load on Bitro's ASU Series 100W-24V power supply	ASU-100-24U (# Bars)	18 bars	36 bars
	ASU-100-24U (linear ft)	6 ft	12 ft
	ASU-100-24U (sqft)	12 sqft	
Recommended Control System		RGB Control Systems & Standard Dimming Controllers*	

* Contact bitro for compatible control systems

packaging

Packaging Unit	10 ft roll
# of Bars / roll	30 bars/10 ft

contact bitro

Bitro Group, Inc. (Headquarter)
300 Lodi St. Hackensack, NJ 07601
201-641-1004 sales@bitrogroup.com